

Prana BCI system 300 mA:

Tests with only 1 amplifier and 1 bulk:

- Broadband (instantaneous single band): 10 kHz – 400 MHz
- Composed of:
 - 1 Prana amplifier: **DR 110**
 - 1 Prana Bulk current Injection: **IP-DR250** with

calibration JIG **CJ-DR250**

- Typical current injection : 300 mA
- Reliable, efficient and robust
- 3 years standard warranty

Maintenance:

- Amplifier designed for minimal maintenance
 - ⇒ Easy access to all parts
 - ⇒ Modular design
 - ⇒ Repairs with minimum adjustments
- Rapid diagnostic
- Minimal downtime
- Contract for preventive and corrective maintenance available

Potential EMC standards covered:

- DO 160 D
- Mil STD 461
- Automotive Standards : PSA, Renault, Ford, Daimler Chrysler...
- ISO 11452-4
- SAE J1113-4
- ...

Other BCI systems:

- BCI system with DR 220 => 300 mA – 600 mA
- BCI system with DR 400 => 600 mA – 1000 mA
- BCI system with DT 150 => 300 mA – 600 mA

Prana additional options:

- External coupler
- Supply and integration inside a cabinet
- RF Power cable
- Switching unit
- Attenuator / load

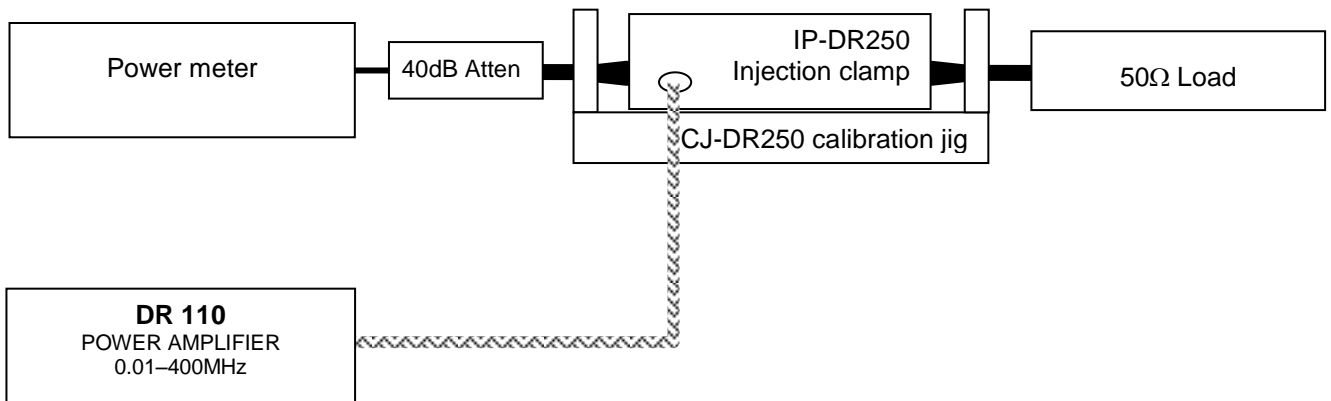


Prana IP-DR250 clamp + CJ-DR250 JIG



Prana DR 110 power amplifier

System BCI configuration



Power graph

Bulk Current Injection Probe with DR 110 Amplifier

